

SURVEY INFORMATION / BENCH MARKS
 SURVEY INFORMATION COLLECTED BY
 WAY JOHN SURVEYING, INCORPORATED
 ON ONE OR MORE OF THE FOLLOWING
 DATES:
 - MARCH 13, 26-27, 2014
 - MAY 14, 2014
 - OCTOBER 15, 2015

ENGINEER SEAL

| NO. | DATE | REVISIONS | AKA |
|-----|---------|----------------------|-----|
| 001 | 3/23/17 | NRCS COMMENT UPDATES | |

| NO. | DATE | REMARKS | BY |
|-----|------|---------|----|
| | | | |

| DESIGNED BY: | DATE: | DESIGNED BY: | DATE: |
|--------------|-----------|--------------|-----------|
| AE/JPJ | 4/16/2015 | EJ/SLE/BJA | 4/16/2015 |

| CHECKED BY: | DATE: | CHECKED BY: | DATE: |
|--------------|-----------|-------------|-------|
| LMG/JPJ/JAKA | 7/13/2017 | | |

PLACITAS ACEQUIAS
 RESERVOIR IMPROVEMENTS
 LAS HUERTAS RESERVOIR

IMPROVED SITE PLAN



GEOSCIENCE & ENGINEERING SOLUTIONS
 6000 UPTOWN BLVD, SUITE 220 ALBUQUERQUE, NM 87110 (505) 246-1600

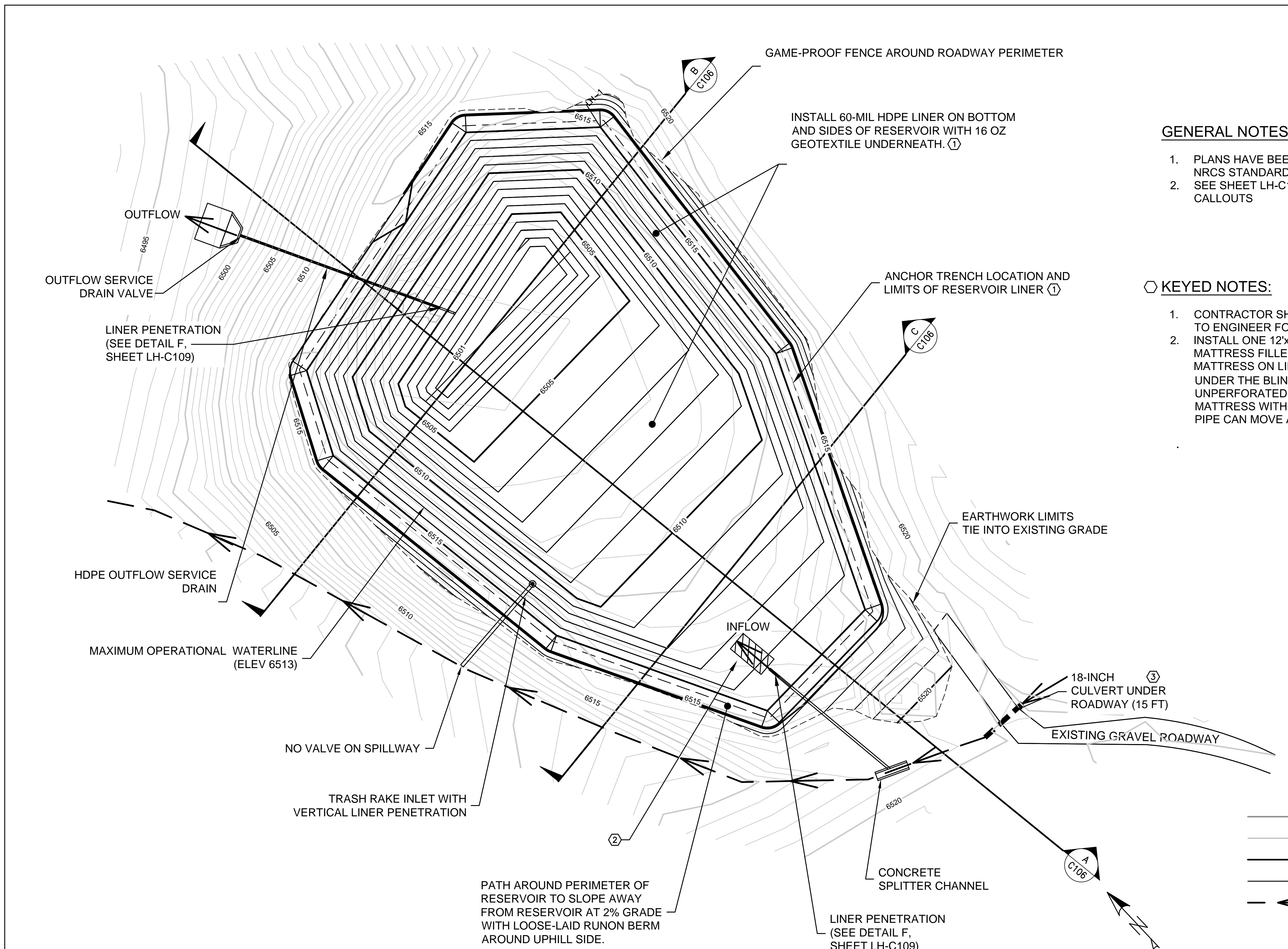
PROJECT NO: CSWCD.C001.PLAC SHEET NO: LH-C103

GENERAL NOTES:

1. PLANS HAVE BEEN PREPARED IN CONFORMANCE WITH NRCS STANDARDS AND SPECIFICATIONS
2. SEE SHEET LH-C104 FOR PIPING IMPROVEMENT CALLOUTS

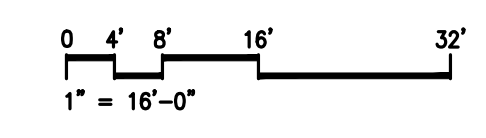
KEYED NOTES:

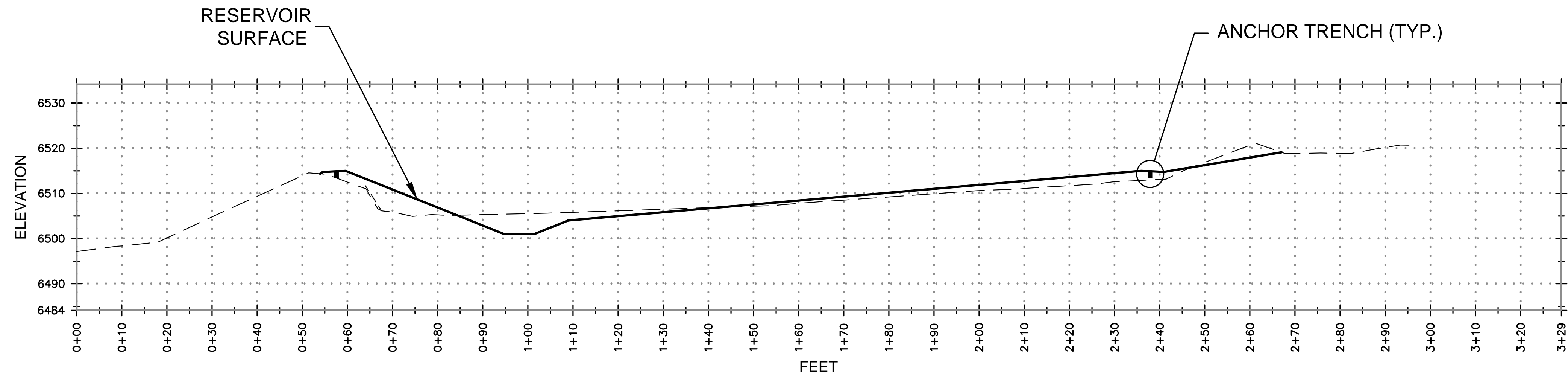
1. CONTRACTOR SHALL SUBMIT LINER PANEL LAYOUT PLAN TO ENGINEER FOR APPROVAL PRIOR TO INSTALLATION.
2. INSTALL ONE 12"x6"x6" DURA-FLEX GALVANIZED GABION MATTRESS FILLED WITH 2" ROUND STONES. LAY MATTRESS ON LINER. INSTALL THE CENTER OF THE MATTRESS UNDER THE BLIND FLANGE ON THE INLET PIPE. RESTRAIN UNPERFORATED SECTION OF INLET PIPE TO GABION MATTRESS WITH DOUBLE STEEL BANDS SO THAT THE PIPE CAN MOVE AXIALLY BUT NOT LATERALLY.



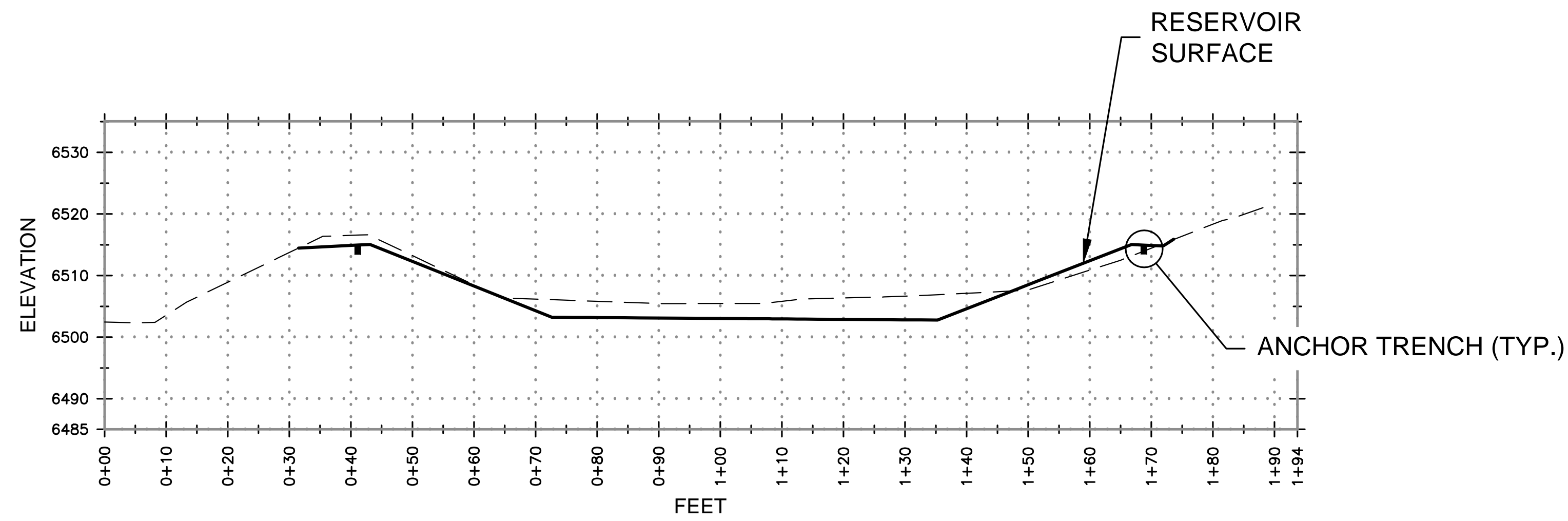
LEGEND:

| | |
|--|------------------------|
| | EXISTING MAJOR CONTOUR |
| | EXISTING MINOR CONTOUR |
| | DESIGN MAJOR CONTOUR |
| | DESIGN MINOR CONTOUR |
| | FLOW LINES |

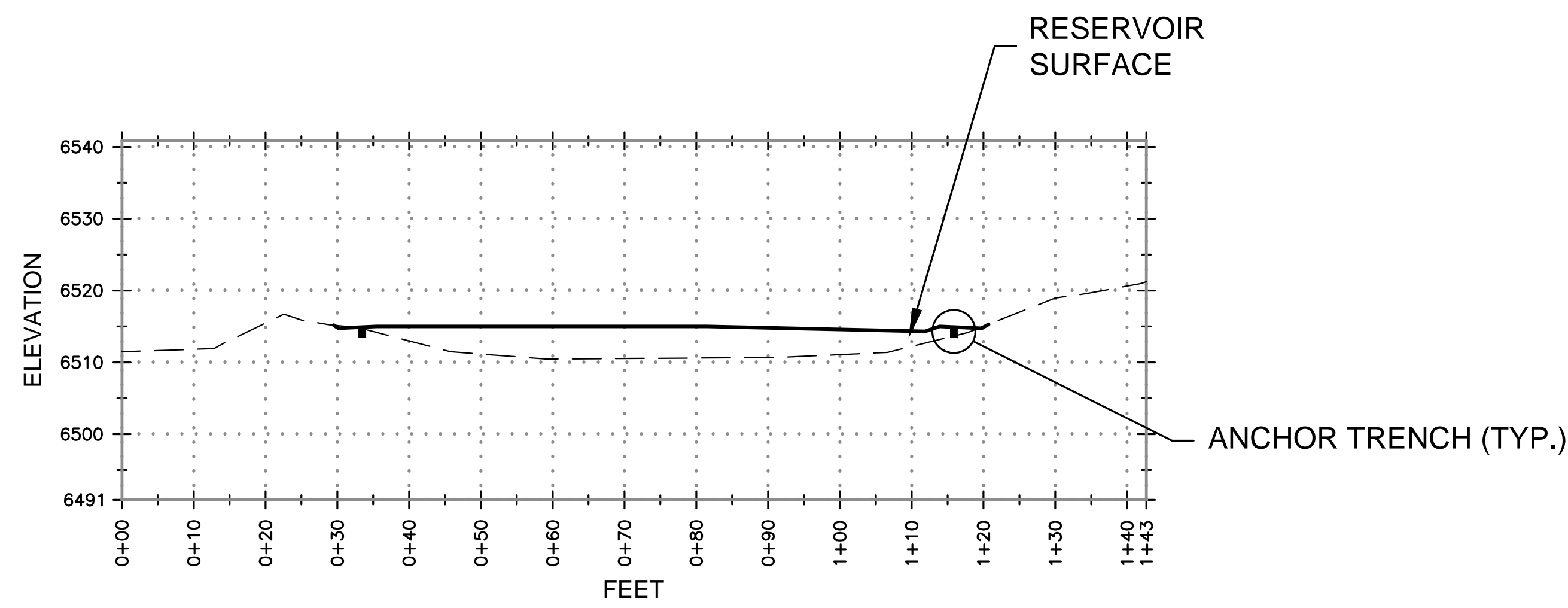




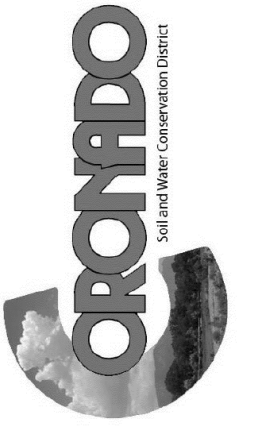
Las Huertas Section **A**
C103



Las Huertas Section **B**
C103



Las Huertas Section **C**
C103



SURVEY INFORMATION / BENCH MARKS
 SURVEY INFORMATION COLLECTED BY
 WAY JOHN SURVEYING, INCORPORATED
 ON ONE OR MORE OF THE FOLLOWING
 DATES:
 - MARCH 13, 26-27, 2014
 - MAY 14, 2014
 - OCTOBER 15, 2015

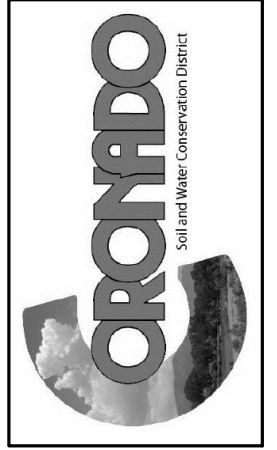
| REVISIONS | | REMARKS | |
|-----------|---------|-------------|-----------|
| NO. | DATE | BY | DATE |
| 001 | 3/23/17 | AE/JPJ | 4/16/2015 |
| | | EJ/LE/BAKA | 4/16/2015 |
| | | LMG/JPJ/AKA | 7/13/2017 |

PLACITAS ACEQUIAS
 RESERVOIR IMPROVEMENTS
 LAS HUERTAS RESERVOIR

CROSS SECTIONS



PROJECT NO: CSWCD.C001.PLAC SHEET NO: LH-C106



SURVEY INFORMATION / BENCH MARKS
 SURVEY INFORMATION COLLECTED BY
 WAY JOHN SURVEYING, INCORPORATED
 ON ONE OR MORE OF THE FOLLOWING
 DATES:
 - MARCH 13, 26-27, 2014
 - MAY 14, 2014
 - OCTOBER 15, 2015

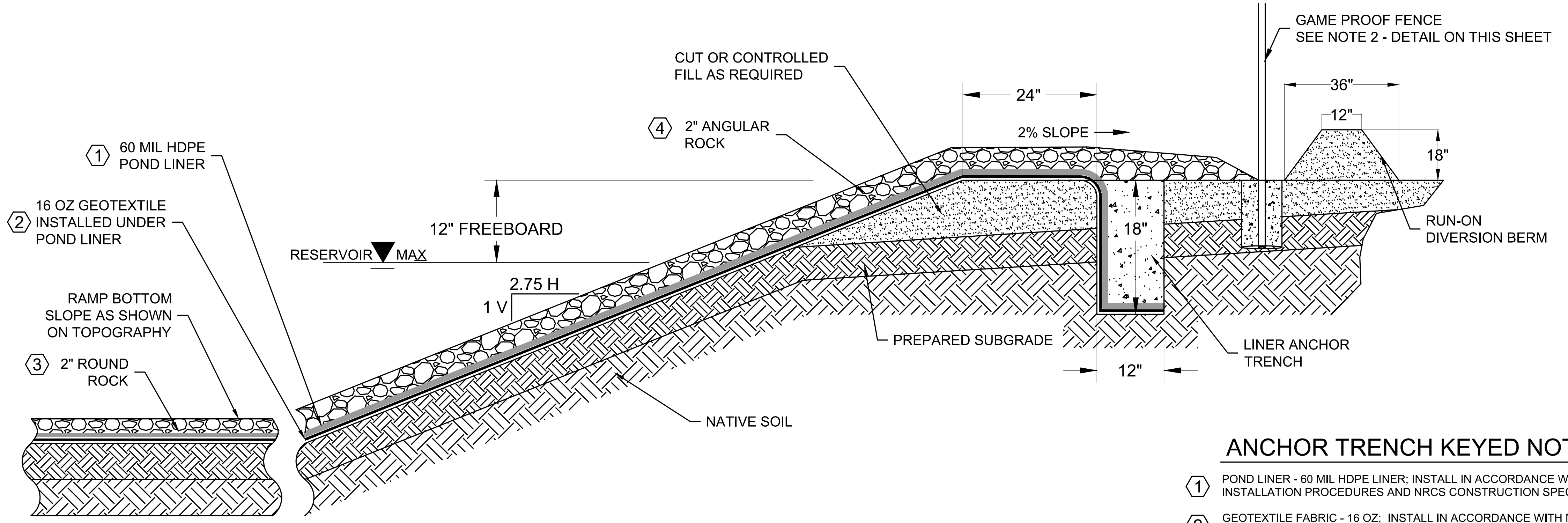
ENGINEER SEAL

| REVISIONS | NRCS COMMENT UPDATES | AKA | BY | DATE |
|-----------|----------------------|-----|----|------|
| 001 | 3/23/17 | | | |

| NO. | DATE | REMARKS |
|--------------|-------------|-----------------|
| DESIGNED BY: | AEAJ/PJ | DATE: 4/16/2015 |
| DRAWN BY: | EJ/SLEB/AKA | DATE: 4/16/2015 |
| CHECKED BY: | LMG/JP/AKA | DATE: 7/13/2017 |

PLACITAS ACEQUIAS
 RESERVOIR IMPROVEMENTS
 LAS HUERTAS RESERVOIR

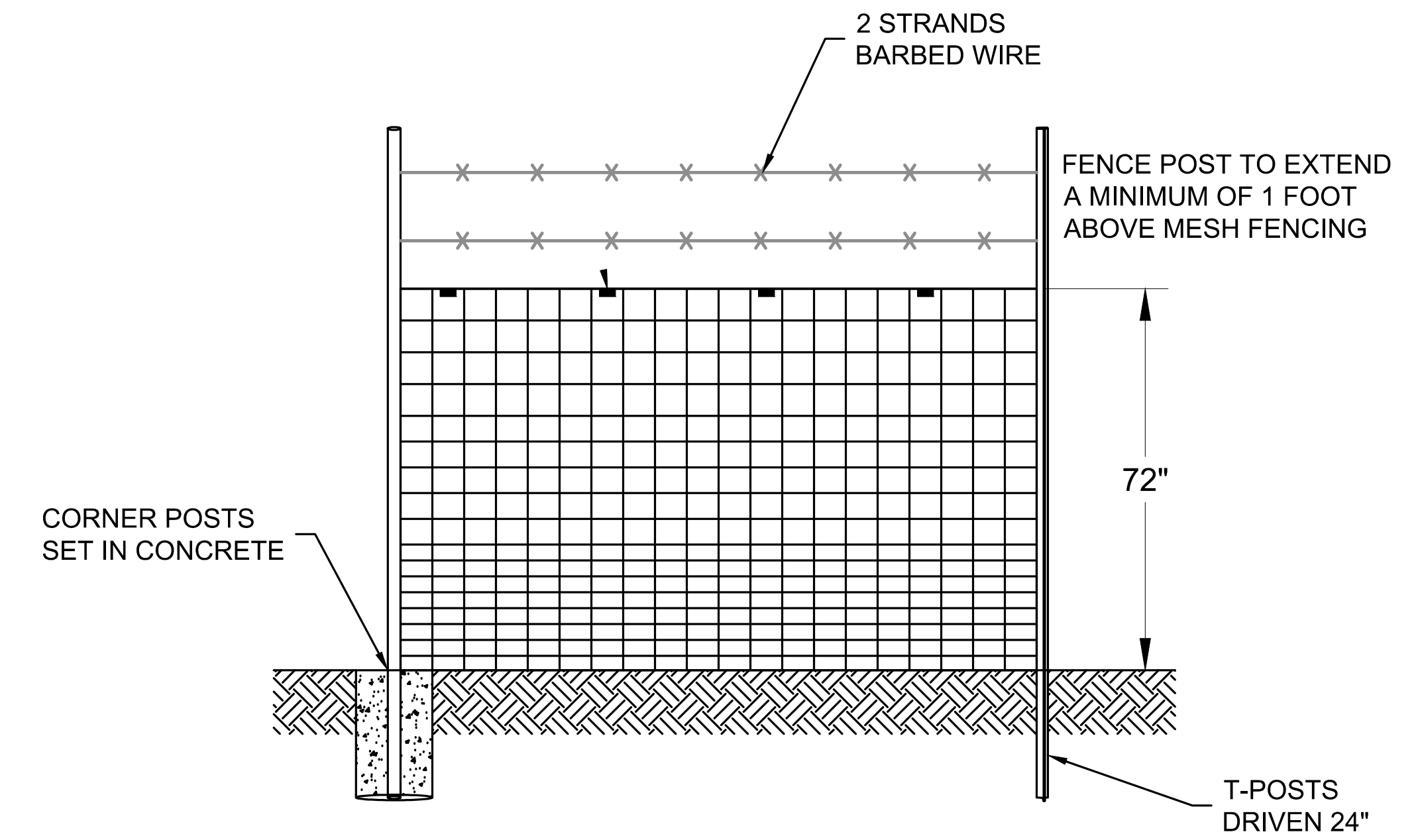
LINER AND FENCE DETAILS



A LINER DETAIL
 C103 NOT TO SCALE

ANCHOR TRENCH KEYED NOTES

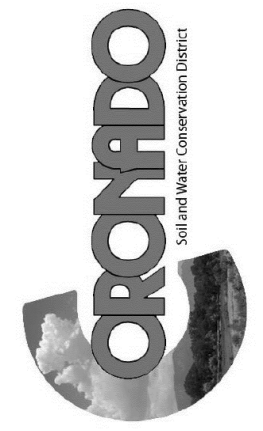
- ① POND LINER - 60 MIL HDPE LINER; INSTALL IN ACCORDANCE WITH MANUFACTURER'S INSTALLATION PROCEDURES AND NRCS CONSTRUCTION SPECIFICATION CODE 521A.
- ② GEOTEXTILE FABRIC - 16 OZ; INSTALL IN ACCORDANCE WITH MANUFACTURER'S INSTALLATION PROCEDURES.
- ③ 2" ROUND ROCK TO BE PLACED MINIMUM 4" THICK ON RAMP/BOTTOM.
- ④ 2" ANGULAR ROCK TO BE PLACED MINIMUM OF 4" THICK ON SIDES.



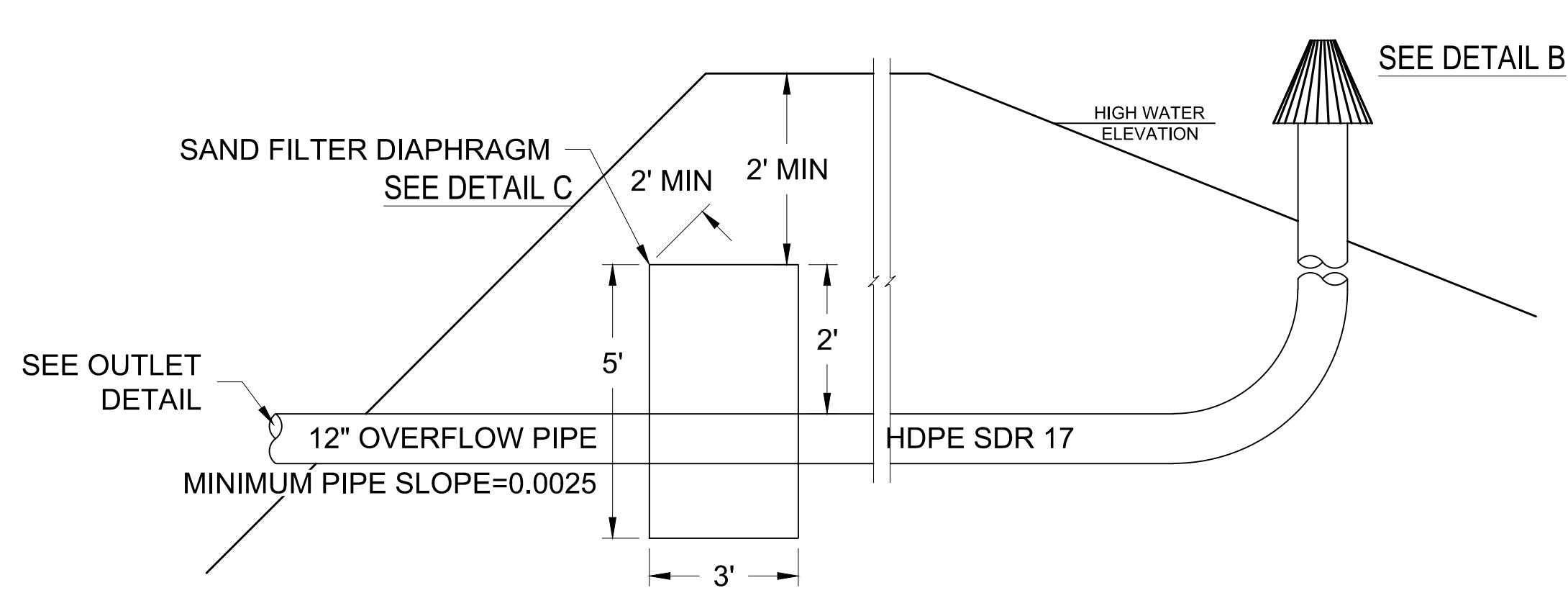
B GAME-PROOF FENCE DETAIL
 C103 NOT TO SCALE

INTERA
 GEOSCIENCE & ENGINEERING SOLUTIONS
 6000 UPTOWN BLVD, SUITE 220 ALBUQUERQUE, NM 87110 (505) 246-1600

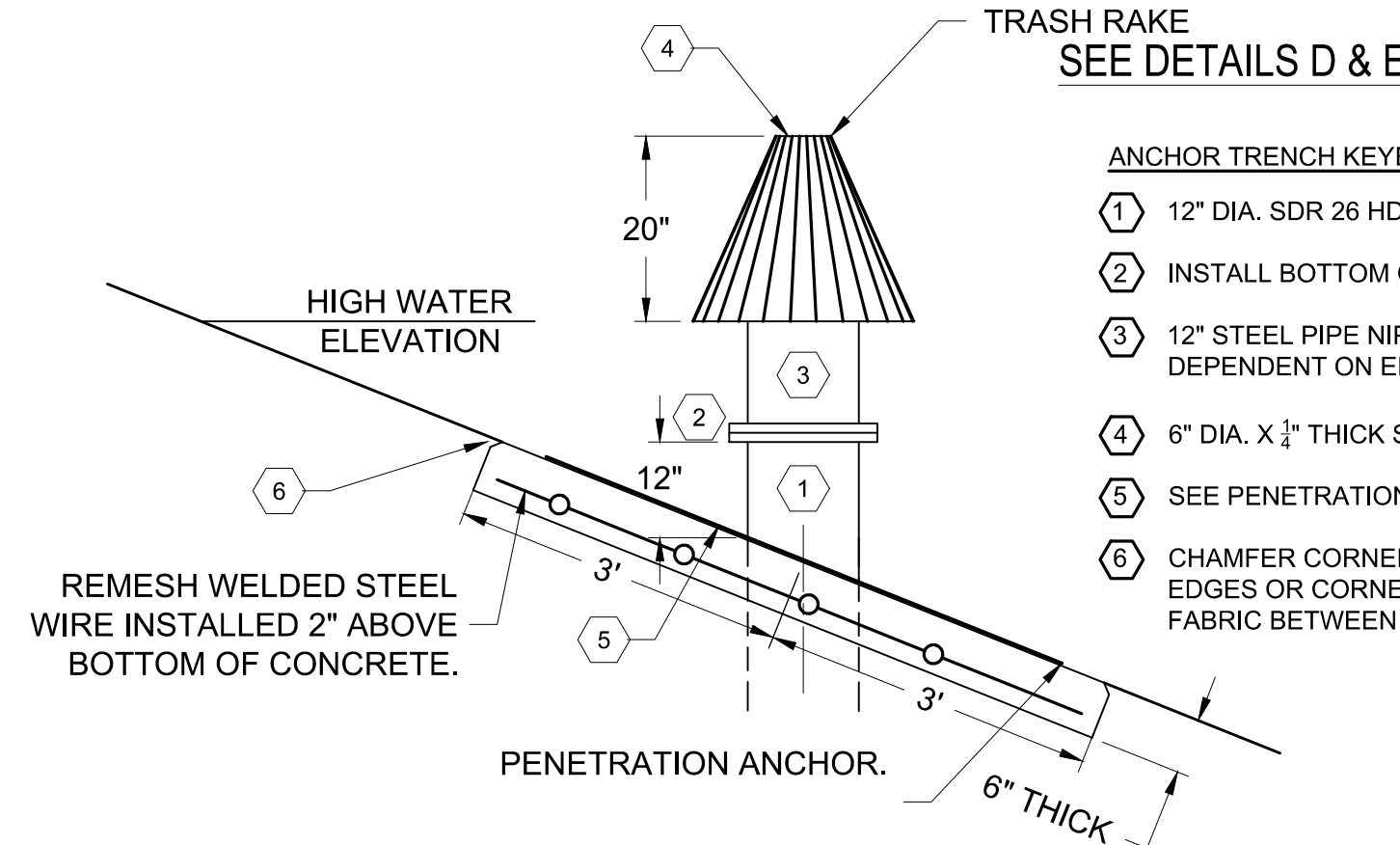
PROJECT NO: CSWCD.C001.PLAC SHEET NO: LH-C107



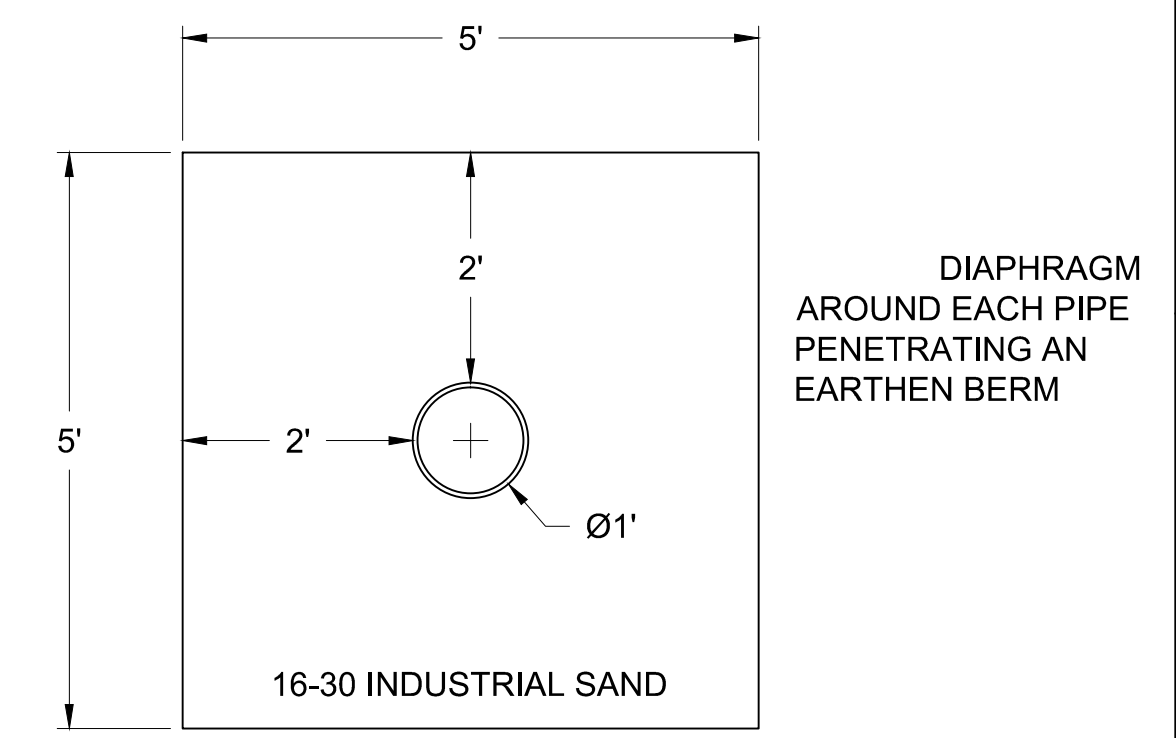
SURVEY INFORMATION / BENCH MARKS
 SURVEY INFORMATION COLLECTED BY
 WAY JOHN SURVEYING, INCORPORATED
 ON ONE OR MORE OF THE FOLLOWING
 DATES:
 - MARCH 13, 26-27, 2014
 - MAY 14, 2014
 - OCTOBER 15, 2015



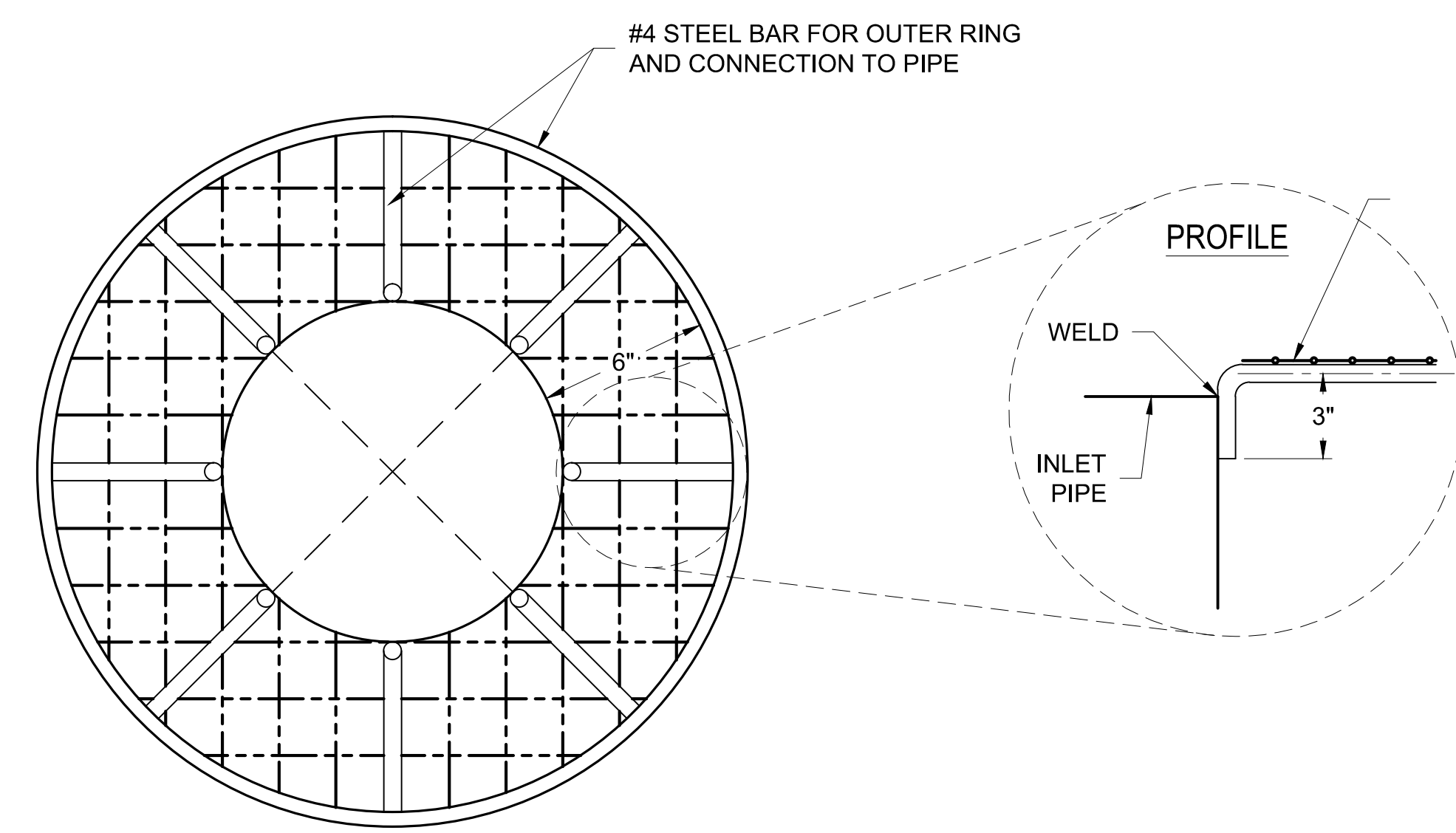
A SPILLWAY - ELEVATION VIEW
 NOT TO SCALE



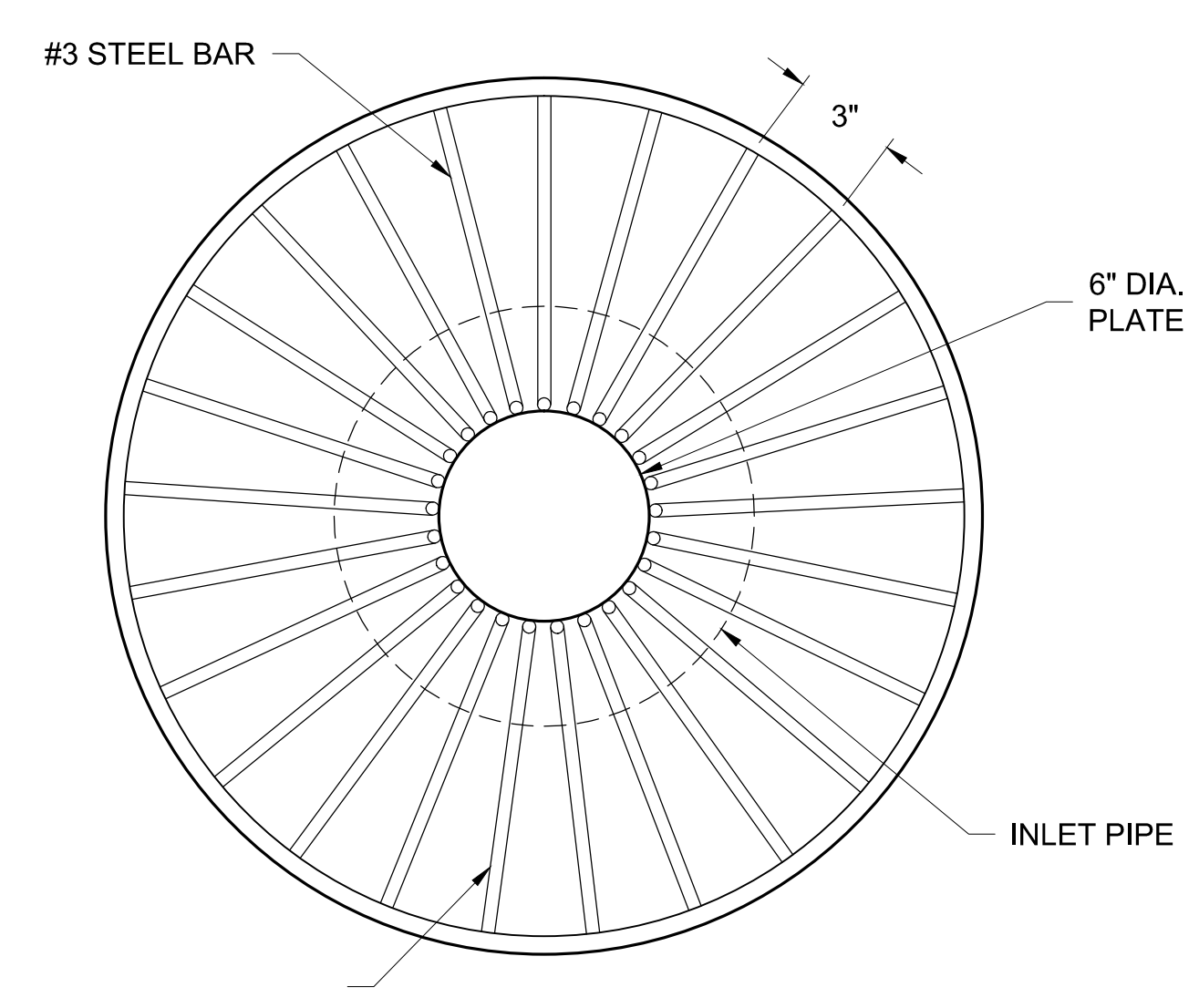
B SPILLWAY - ELEVATION VIEW
 NOT TO SCALE



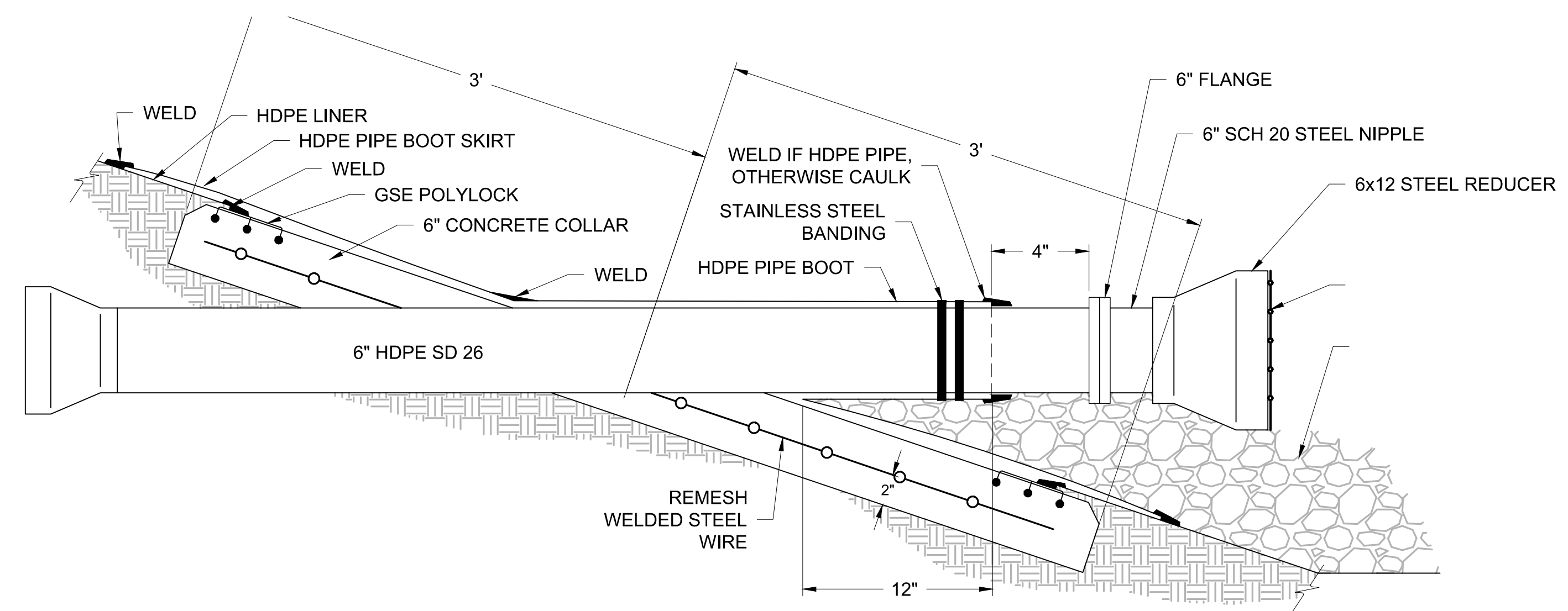
C FILTER DIAPHRAGM
 NOT TO SCALE



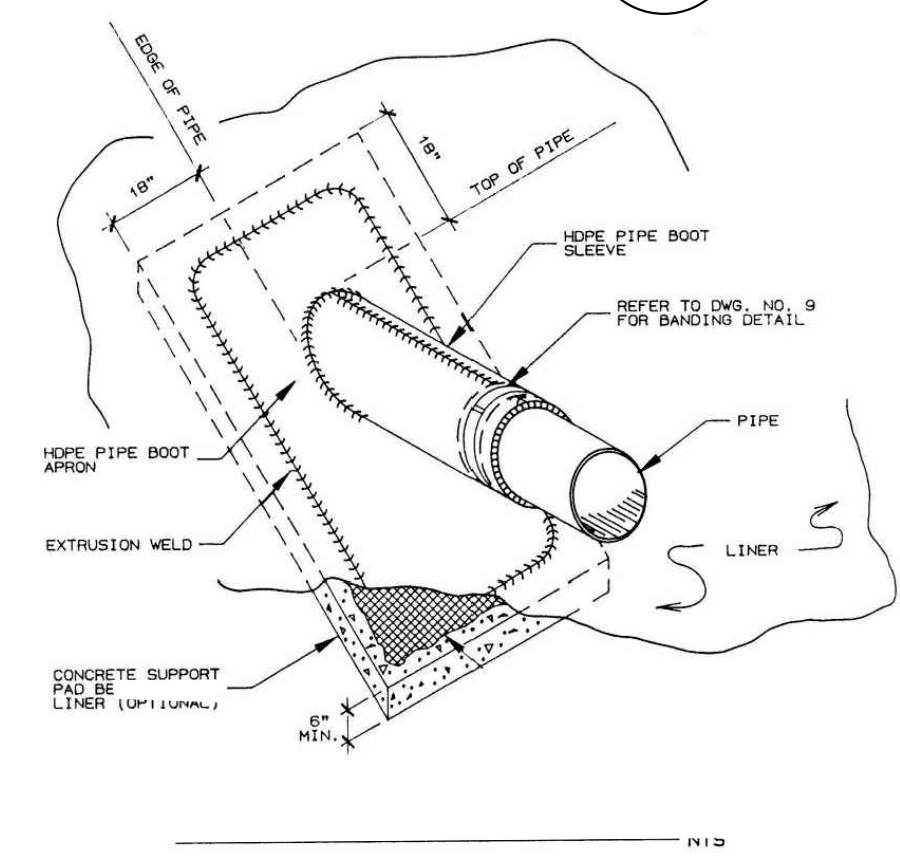
D TRASH RAKE INLET FROM BOTTOM
 NOT TO SCALE



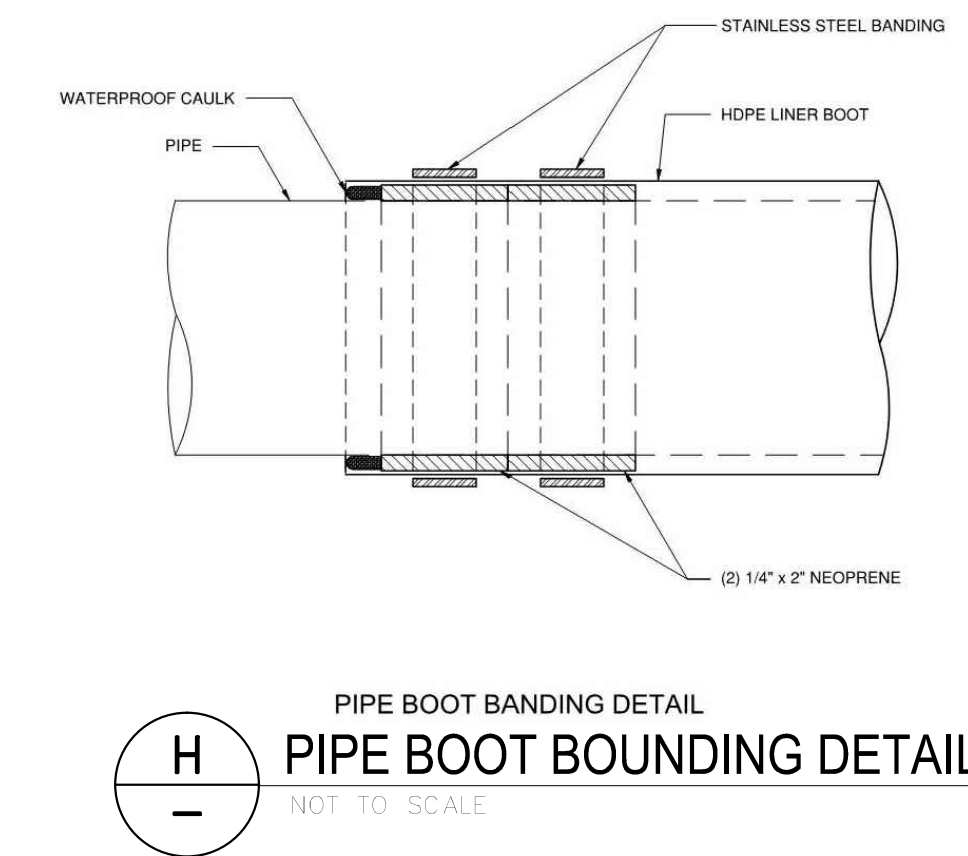
E TRASH RAKE INLET FROM TOP
 NOT TO SCALE



F HORIZONTAL PIPE PENETRATION DETAIL
 NOT TO SCALE



G PIPE BOOT ISOMETRIC
 NOT TO SCALE



H PIPE BOOT BOUNDING DETAIL
 NOT TO SCALE

NOTE:
 1. CONCRETE SURFACES TO BE STEEL TROWEL FINISHED WITH ROUNDED AND SMOOTHED EDGES.
 2. SUGGESTED MINIMUM CONCRETE STRENGTH 4000 PSI OR AS DETERMINED BY THE DESIGN ENGINEER.

| REVISIONS | | NRCS COMMENT UPDATES | | REMARKS | |
|-----------|---------|----------------------|-----------|------------|-----------|
| NO. | DATE | DESIGNED BY: | DATE: | DRAWN BY: | DATE: |
| 001 | 3/23/17 | AE/JPJ | 4/16/2015 | EJ/SLE/BJA | 4/16/2015 |
| | | LMC/JPJ/JAKA | 7/13/2017 | | |

PLACITAS ACEQUIAS
 RESERVOIR IMPROVEMENTS
 LAS HUERTAS RESERVOIR
 PIPING DETAILS

INTERA
 GEOSCIENCE & ENGINEERING SOLUTIONS
 6000 UPTOWN BLVD, SUITE 220 ALBUQUERQUE, NM 87110 (505) 246-1600
 PROJECT NO: CSWCD.C001.PLAC SHEET NO: LH-C109